

Three-phase 25kW Solar Inverter

TPD-T250P6-US



6 MPPT Inverter

Designed for Distributed Solar

- ▶ Easy maintenance
- ▶ 6 Individual MPPT DC Input Strings
- ▶ 98.7% Efficiency
- ▶ Three-phase 480V AC Output – Lower BOS cost
- ▶ NEMA3
- ▶ Eliminates the need for combiner boxes – All PV strings terminate at the inverter
- ▶ Remote setup and monitoring

Three-phase 25kW Solar Inverter

Input (DC)	
Nominal Input power per string	4300 W (5200 W / output limited)
Max. input voltage	1000 V
Operation voltage range	200-1000 V
MPPT voltage range	500 to 800 V
Min. input voltage / starting voltage	200 V/200 V
Operating input current per string	10 A
Number of MPP tracker inputs	6

Efficiency	
Max. Efficiency	98.7%
CEC Efficiency	97.5%

Protection	
Islanding Operation Detection: Active	Frequency shifting method
Islanding Operation Detection: Passive	Frequency change detective method

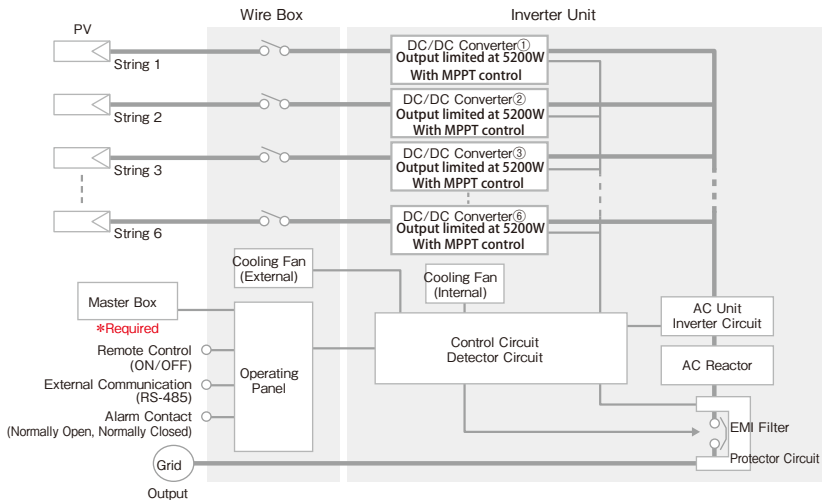
Output (AC: Grid connected)	
Rated output power*	25000 W
Grid connection type	Three-phase, 4-wire type
Rated AC voltage	480 V (277 V WYE)
Rated power frequency	60 Hz
Rated output current	30 A
Power factor at rated output power	≥ 0.99

* When the Power factor is 100% during inverter operation.

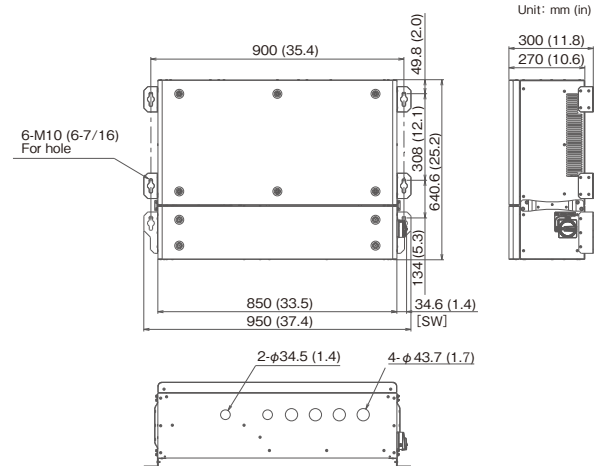
General Data	
Dimensions W x H x D	950 x 640.6 x 300 mm (37.4 x 25.2 x 11.8 in)
Weight	69 kg (152.1 lb)
Operating temperature range	-20°C to +60°C (-4°F to +140°F) Rated output until +40°C (+104°F)
Internal consumption (night)	< 8 W
Cooling concept	Cooling Fan
Enclosure Rating	NEMA3
Controller/Interface	Master Box* (Required)/RS485
Certification	ETL(UL 1741/1699B, CSA C22.2 No. 107.1-01, IEEE 1547a, CEC) , FCC class A
Topology	Transformer-less

* Master Box is required to use three-phase 25 kW inverter.

Block Diagram



Dimensions



Some specifications or aspects of appearance may be changed without notice to improve the product.